



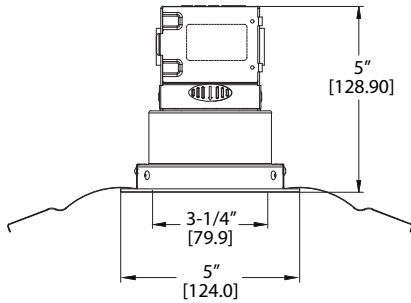
Juno OneUP™ LED Downlight Series

4" LED Direct Wire Switchable White Adjustable Downlight, 860 lumens

JBK4 ADJ Series



Dimensions



Specifications

- Aperture: 3-1/4" (79.9)
- Overlap Trim: 5" (124.0)
- Height: 5" (128.90)
- Ceiling Opening: 6-1/2" (165)
- Min Ceiling Thickness: 1/2" (12.7)
- Max Ceiling Thickness: 1-1/2" (38.1)

All dimensions are inches (millimeters).

Project:
Fixture Type:
Location:
Contact/Phone:

Product Features

The 4" OneUp™ direct-wire adjustable downlights feature a unique "canless" all-in-one design that includes an integrated junction box with selectable white switch, baffle trim, pre-installed non-metallic bushings and 3-port push wire quick connectors in one package.

- Round adjustable gimbal with 180 degrees of rotation and 35 degrees of adjustable tilt in both directions.
- Requires no tools (other than a hole saw for your ceiling cutout) and take less than 1/3 of the time to install versus a conventional incandescent can
- 5 selectable color temperatures to choose with a switch ranging from warm (2700K) to daylight (5000K) allowing customization for endless applications

Applications

- Residential and light commercial applications including single and multi-family, assisted living, and dormitories
- Remodel or new construction insulated and drop ceiling installations
- Damp rated and airtight: perfect for bathrooms, outdoor soffits, and eaves.

Performance

Delivered Lumens	860 Nominal; up to 870 Lumens
LED Color Temperature	Switchable White (2700K, 3000K, 3500K, 4000K, 5000K) Default set at 3000K
Color Quality	3-step MacAdams at endpoints: 7- Step Mac-Adams at middle points
CRI	90+
Voltage	Dedicated 120V
Dimming	Dimmable down to 10% with forward phase triac dimmers. For a list of compatible dimmers see JUNO-ONEUP-DIM

LIGHTING PERFORMANCE DATA DONNÉES SUR LE RENDEMENT DE L'ÉCLAIRAGE	
Light Appearance (CCT) Aspect de la lumière (CCT)	
2700K	soft white blanc doux 820 lumens 71 lumens per watt
3000K	warm white blanc chaud 860 lumens 74 lumens per watt
3500K	neutral white blanc neutre 870 lumens 75 lumens per watt
4000K	cool white blanc froid 840 lumens 72 lumens per watt
5000K	daylight blanc neutre 845 lumens 73 lumens per watt
Watts	11.6
Color Accuracy (CRI) Précision des couleurs (CRI)	90



Juno OneUP™ LED Downlight Series

4" LED Direct Wire Switchable White Adjustable Downlight, 860 lumens



ORDERING INFORMATION

Ordering Example: JBK4 ADJ SWW5 90CRI MW

Trim Series	Trim Style	Color Temperature	Color Rendering Index	Finish
JBK4 4" Adjustable Round Direct-Wire LED Downlight	ADJ Round Adjustable	SWW5 Switchable White (2700K, 3000K, 3500K, 4000K, 5000K)	90CRI 90+ CRI	MW Matte White

ACCESSORIES: Order as separate catalog number.

Catalog Number
OUIBK643 U Universal New Construction Pan accomodating 3", 4", 6" aperature sizes



Universal New Construction Pan
Multi- size: 3", 4", 6" new construction pre-mounting pan with nail-in barhanges

Performance Data

	JBK4 ADJ SWW5
Input voltage	120V AC
Input Power Typical	11.6W (+/-5%)
Min. power factor	0.9
Input Current (Amps)	0.57A
Frequency	60HZ
EMI/RFI	FCC Title 47, Part 15 Class B (consumer)
Minimum Starting Temp	-40°F (-40°C)

Note: Actual performance may differ as a result of end-user environment and application. All values are design or typical values, measured under laboratory conditions at 25°C.

Dimming: Forward Phase (Triac)		
Lutron	Leviton	legrand
CTCL-153P-WH	IPE04	RHCL453PTCCCV6
DVCL-153P-WH	IPL06	RH703PTUTCCCV4
300P SELV	IP110	
DVELV-300P	6633-PA	
AYCL-153P-WH	WA-RXX-6674-12A	
DVCL-153PR-WH	WA-CXX-6672-12A	
CTCL-153PDH-WH	WA-RXX-IPL06-12A	
TGCL-153PH-WH		
MACL-153MH-WH		
P-PKG1W-WH-R		
DVWCL-153PH-WH		



Juno OneUP™ LED Downlight Series

4" LED Direct Wire Switchable White
Adjustable Downlight, 860 lumens



Specifications

Housing

Spun steel, round adjustable trim with secure trim retention with two side-mounted spring clips for easy installation in plaster, sheet rock, or plywood ceilings.

- The integrated junction box - with pre-installed non-metallic bushing - allows non-metallic cable to be fed through without the hassle of knockouts. The captive junction box door provides easy access to pre-installed 3-port push wire quick connectors for straight-forward wiring.
- Suitable for pulling wires with the 12 cubic-inch wiring compartment to accommodate up to (6) 14 gauge insulated conductors; making the OneUP™ LED Downlights much easier to wire in 2in/2out (plus ground) daisy-chain applications.

Driver

Accommodates 120 volts at 60hz. • Rated for Type IC installations with convenience of a switch to choose between 5 selectable color temperature options ranging from 2700K (warm white), 3000K, 3500K, 4000K, or 5000K (daylight).

- LEDs are integrated to one piece high purity aluminum, thermally conductive housing to provide uninterrupted heat transfer to ensure long life of the LED.
- Switchable white color temperature from 2700K, 3000K, 3500K, 4000K, 5000K.
- 90 CRI minimum • Dimming 100% to 10% with most standard incandescent dimmers (see list of approved dimmers).

Optics

Round adjustable gimbal with 180 degrees of rotation and 35 degrees of adjustable tilt in both directions. Diffused lens provides even light distribution for general illumination, equivalent to 65W incandescent flood lamp • Wide flood beam angle at >90°.

Life

Rated for 50,000 hours at 70% lumen maintenance.

Listings

ETL certified to US and Canadian safety standards • Suitable for damp location • Air-Loc certified in accordance with ASTM E283-2004 • NOM Certified • Can be used to comply with California Title 24 Part 6 High Efficacy LED light Source Requirements.

Testing

All reports are based on published industry procedures; field performance may differ from laboratory performance.

Warranty

5-year limited warranty. This is the only warranty provided and no other statements in this specification sheet create any warranty of any kind. All other express and implied warranties are disclaimed. Complete warranty terms located at: www.acuitybrands.com/support/warranty/terms-and-conditions

Note: Specifications subject to change without notice.



Juno OneUP™ LED Downlight Series

4" LED Direct Wire Switchable White
Adjustable Downlight, 860 lumens



Photometrics - JBK4 ADJ Series

Distribution Curve

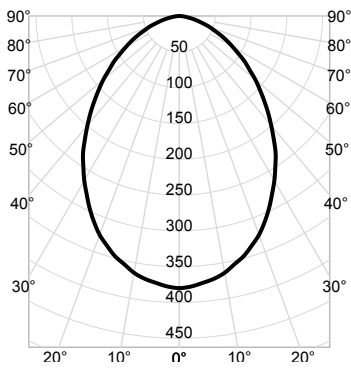
Distribution Data

Output Data

Coefficient of Utilization

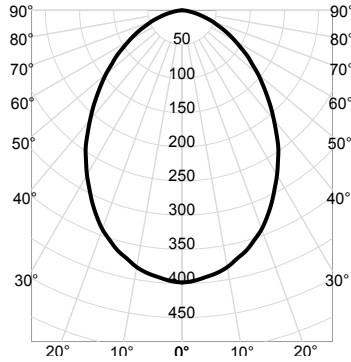
Illuminance Data at 30" Above
Floor for a Single Luminaire

JBK4 ADJ SWW5 90CRI MW M6 2700K Input Watts: 11.6, Delivered Lumens: 821, LPW: 70.8, S/MH: 1.06, Test No: ISF 202691P1



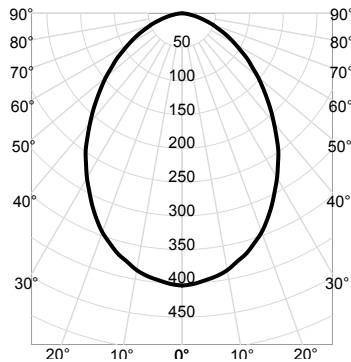
CP Summary		Zonal Lumen Summary		Coefficients of Utilization						Cone of Light			Luminance (cd/sq.m)						
				pf	80%		20%		50%		Mounting Height	Initial FC Center Beam	Beam Diameter	Average Luminance					
0°	Zone	Lumens	% Fixture	pc	50%	30%	10%	50%	30%	10%					50%	30%	10%		
0°	380	0° - 30°	282	34%	0	119	119	119	116	116	111	111	111	111	6.0	10.6	10.6	0°	77,055
5°	374	0° - 40°	439	53%	1	106	102	98	104	100	97	99	96	94	8.0	5.9	14.1	45°	48,051
15°	347	0° - 60°	697	85%	2	94	87	82	92	86	81	88	83	79	10.0	3.8	17.6	55°	39,491
25°	296	0° - 90°	821	100%	3	83	76	70	82	75	69	79	73	68	12.0	2.6	21.2	65°	30,627
35°	234	90° - 180°	0	0%	4	75	66	60	73	66	60	71	64	59	14.0	1.9	24.7	75°	21,098
45°	168	0° - 180°	821	100%	5	67	59	53	66	58	52	64	57	52				85°	9,282
55°	112				6	61	53	47	60	52	46	58	51	46					
65°	64				7	56	47	42	55	47	41	53	46	41					
75°	27				8	51	43	37	50	43	37	49	42	37					
85°	4				9	47	39	34	47	39	34	45	39	34					
90°	0				10	44	36	31	43	36	31	42	36	31					

JBK4 ADJ SWW5 90CRI MW M6 3000K Input Watts: 11.6, Delivered Lumens: 861, LPW: 74.2, S/MH: 1.06, Test No: ISF 202691P2



CP Summary		Zonal Lumen Summary		Coefficients of Utilization						Cone of Light			Luminance (cd/sq.m)						
				pf	80%		20%		50%		Mounting Height	Initial FC Center Beam	Beam Diameter	Average Luminance					
0°	Zone	Lumens	% Fixture	pc	50%	30%	10%	50%	30%	10%					50%	30%	10%		
0°	399	0° - 30°	295	34%	0	119	119	119	116	116	111	111	111	111	6.0	11.1	10.6	0°	80,814
5°	392	0° - 40°	461	53%	1	106	102	98	104	100	97	99	96	94	8.0	6.2	14.1	45°	50,395
15°	364	0° - 60°	731	85%	2	94	87	82	92	86	81	88	83	79	10.0	4.0	17.6	55°	41,418
25°	311	0° - 90°	861	100%	3	83	76	70	82	75	69	79	73	68	12.0	2.8	21.2	65°	32,121
35°	246	90° - 180°	0	0%	4	75	66	60	73	66	60	71	64	59	14.0	2.0	24.7	75°	22,127
45°	176	0° - 180°	861	100%	5	67	59	53	66	58	52	64	57	52				85°	9,735
55°	117				6	61	53	47	60	52	46	58	51	46					
65°	67				7	56	47	42	55	47	41	53	46	41					
75°	28				8	51	43	37	50	43	37	49	42	37					
85°	4				9	47	39	34	47	39	34	45	39	34					
90°	0				10	44	36	31	43	36	31	42	36	31					

JBK4 ADJ SWW5 90CRI MW M6 3500K Input Watts: 11.6, Delivered Lumens: 871, LPW: 75.1, S/MH: 1.06, Test No: ISF 202691P3



CP Summary		Zonal Lumen Summary		Coefficients of Utilization						Cone of Light			Luminance (cd/sq.m)						
				pf	80%		20%		50%		Mounting Height	Initial FC Center Beam	Beam Diameter	Average Luminance					
0°	Zone	Lumens	% Fixture	pc	50%	30%	10%	50%	30%	10%					50%	30%	10%		
0°	403	0° - 30°	299	34%	0	119	119	119	116	116	111	111	111	111	6.0	11.2	10.6	0°	81,753
5°	397	0° - 40°	466	53%	1	106	102	98	104	100	97	99	96	94	8.0	6.3	14.1	45°	50,981
15°	368	0° - 60°	740	85%	2	94	87	82	92	86	81	88	83	79	10.0	4.0	17.6	55°	41,899
25°	314	0° - 90°	871	100%	3	83	76	70	82	75	69	79	73	68	12.0	2.8	21.2	65°	32,495
35°	249	90° - 180°	0	0%	4	75	66	60	73	66	60	71	64	59	14.0	2.1	24.7	75°	22,385
45°	178	0° - 180°	871	100%	5	67	59	53	66	58	52	64	57	52				85°	9,848
55°	119				6	61	53	47	60	52	46	58	51	46					
65°	68				7	56	47	42	55	47	41	53	46	41					
75°	29				8	51	43	37	50	43	37	49	42	37					
85°	4				9	47	39	34	47	39	34	45	39	34					
90°	0				10	44	36	31	43	36	31	42	36	31					



Juno OneUP™ LED Downlight Series

4" LED Direct Wire Switchable White Adjustable Downlight, 860 lumens



Photometrics - JBK4 ADJ Series

Distribution Curve

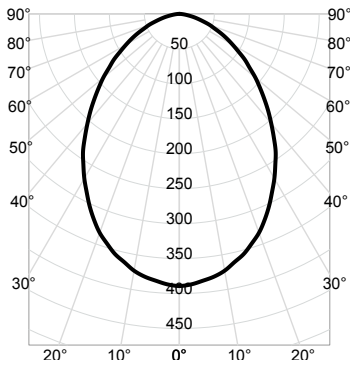
Distribution Data

Output Data

Coefficient of Utilization

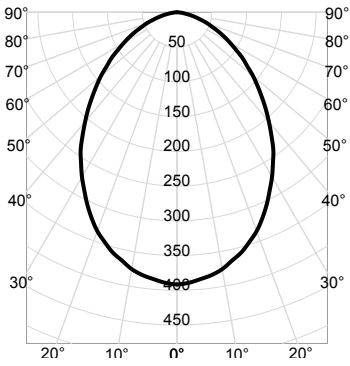
Illuminance Data at 30" Above Floor for a Single Luminaire

JBK4 ADJ SWW5 90CRI MW M6 4000K Input Watts: 11.6, Delivered Lumens: 841, LPW: 72.5, S/MH: 1.06, Test No: ISF 202691P4



CP Summary	Zonal Lumen Summary				Coefficients of Utilization										Cone of Light			Luminance (cd/sq.m)	
	0°	Zone	Lumens	% Fixture	pw	80%		20%		50%		Mounting Height	Initial FC Center Beam	Beam Diameter	Average Luminance				
						50%	30%	10%	50%	30%	10%					50%	30%	10%	
0°	389	0° - 30°	288	34%	0	119	119	119	116	116	111	111	111	6.0	10.8	10.6	0°	78,934	
5°	383	0° - 40°	450	53%	1	106	102	98	104	100	97	99	96	8.0	6.1	14.1	45°	49,223	
15°	356	0° - 60°	714	85%	2	94	87	82	92	86	81	88	83	10.0	3.9	17.6	55°	40,455	
25°	304	0° - 90°	841	100%	3	83	76	70	82	75	69	79	73	12.0	2.7	21.2	65°	31,374	
35°	240	90° - 180°	0	0%	4	75	66	60	73	66	60	71	64	14.0	2.0	24.7	75°	21,613	
45°	172	0° - 180°	841	100%	5	67	59	53	66	58	52	64	57	14.0	2.0	24.7	85°	9,508	
55°	114				6	61	53	47	60	52	46	58	51	14.0	2.0	24.7			
65°	65				7	56	47	42	55	47	41	53	46	14.0	2.0	24.7			
75°	28				8	51	43	37	50	43	37	49	42	14.0	2.0	24.7			
85°	4				9	47	39	34	47	39	34	45	39	14.0	2.0	24.7			
90°	0				10	44	36	31	43	36	31	42	36	14.0	2.0	24.7			

JBK4 ADJ SWW5 90CRI MW M6 5000K Input Watts: 11.6, Delivered Lumens: 846, LPW: 72.9, S/MH: 1.06, Test No: ISF 202691P5



CP Summary	Zonal Lumen Summary				Coefficients of Utilization										Cone of Light			Luminance (cd/sq.m)	
	0°	Zone	Lumens	% Fixture	pw	80%		20%		50%		Mounting Height	Initial FC Center Beam	Beam Diameter	Average Luminance				
						50%	30%	10%	50%	30%	10%					50%	30%	10%	
0°	392	0° - 30°	290	34%	0	119	119	119	116	116	111	111	111	6.0	10.9	10.6	0°	79,404	
5°	385	0° - 40°	453	53%	1	106	102	98	104	100	97	99	96	8.0	6.1	14.1	45°	49,516	
15°	358	0° - 60°	718	85%	2	94	87	82	92	86	81	88	83	10.0	3.9	17.6	55°	40,695	
25°	305	0° - 90°	846	100%	3	83	76	70	82	75	69	79	73	12.0	2.7	21.2	65°	31,561	
35°	242	90° - 180°	0	0%	4	75	66	60	73	66	60	71	64	14.0	2.0	24.7	75°	21,741	
45°	173	0° - 180°	846	100%	5	67	59	53	66	58	52	64	57	14.0	2.0	24.7	85°	9,565	
55°	115				6	61	53	47	60	52	46	58	51	14.0	2.0	24.7			
65°	66				7	56	47	42	55	47	41	53	46	14.0	2.0	24.7			
75°	28				8	51	43	37	50	43	37	49	42	14.0	2.0	24.7			
85°	4				9	47	39	34	47	39	34	45	39	14.0	2.0	24.7			
90°	0				10	44	36	31	43	36	31	42	36	14.0	2.0	24.7			